

# HONDA 2023

## POWER EQUIPMENT ACCESSORY CATALOGUE



# TABLE OF CONTENTS



<b>GENERATORS</b> .....	<b>3</b>
<b>LAWNMOWERS</b> .....	<b>15</b>
<b>TILLERS</b> .....	<b>23</b>
<b>TRIMMERS</b> .....	<b>27</b>
<b>SNOW BLOWERS</b> .....	<b>33</b>
<b>WATER PUMPS</b> .....	<b>37</b>
<b>OILS &amp; CHEMICALS</b> .....	<b>49</b>



*Battery/Charging Solutions..... 4*

*Battery Tray Kits & Batteries..... 4*

*DC Charging Cords ..... 5*

*Hanger/Lift Kits..... 5*

*Covers..... 6*

*Covers (Cont.)..... 7*

*Light Kits..... 8*

*Hour Meter..... 8*

*Theft Deterrent Bracket..... 8*

*Parallel Cables & Kits..... 9*

*Plugs and Connectors..... 10*

*Plugs and Connectors (cont.) ..... 11*

*Locking Plug Application Guide ..... 11*

*Plugs and Connectors (cont.) ..... 12*

*Remote Control Starting Kits & Parts..... 13*

*Wheel Kits..... 14*

## Battery/Charging Solutions



OptiMate 3 and Accessories

**A- 31670-BMS-004**

**B- SAE51 (Sold in multiples of 25)**

The OptiMate 3 battery charger will automatically recover, monitor, and maintain all types of batteries from 2.5 to 32 amp-hours with its advanced diagnostic program, so your Honda is always ready to start when you need it. The OptiMate 3 battery charger has a unique ability to desulfate and recover most batteries that have been neglected or deeply discharged.

## Battery Tray Kits & Batteries

Some Honda generators are recoil start, but the models listed below require just a battery and battery tray kit to add electric start. Our battery tray kit is an all-steel, bolt-on kit.

Note: We recommend using a battery tender when storing.

**08020-ZB410AH** (EM3500SX, EM3500SXX1, EM5000SX)

**06550-Z22-A30AH** (EM3800SX, EM5000SXX2, EM65000SXX1)



06550-Z22-A30AH

## DC Charging Cords

If your Honda generator has DC output, use one of these special cords to charge batteries. All have alligator clips on one end and are 6 or 10 feet long.



10' long plug style B

**32660-894-BCX12H** (EM3000C, EU1000i, EU2000i, EU2200i, EU3000i, EU3000is, EX700c)



Plug style C

**32650-825-015** (All other models with DC output)

## Hanger/Lift Kits

A sturdy steel crossbar bolted to the frame makes lifting a generator easy. Each kit comes with all the hardware and installs in minutes. The hanger/lift kit is standard on EB series generators.

Model(s)	Part Number
EB3500X, EB5000X, EM3500X/SX/SXK1, EM5000SX/K1, EM6000GP	06810-ZB4-800
EG4000CL, EG5000CL, EG6500CL, EM3800SX, EM4000SX, EM5000SX K2/K3, EM6500SX K1/K2	06810-Z22-A30ZA
EM5000is, EM7000is, EU6500is, EU7000iS	06531-Z11-E00ZA



06531-Z11-E00ZA

## Covers

Protect your investment with a custom-fitted, water-resistant generator cover with an elastic band for a secure fit. RV cover material is urethane-coated polyester.

Model(s)	Part Number
EB2200X, EB2500XK1, EG1400X, EG2200X, EG2200Z, EG2500XK1, EM1600X, EM1800X, EM1800XK1, EM2200X, EM2500XK1, EP2500X, EZ1400, EZ2500	08P57-ZS9-00S
EB2800i, EG2800i	08P57-Z43-001AH
EB3000C, EM3000C	08P57-Z04-000
EB3000C, EM3000C (heavy duty cover)	08P58-Z04-100S
EB3500XK1, EB5000XK1, EW171 (w/handle openings)	08P57-ZC2-100
Universal Fixed Handle Wheel Kit Models: EB3800XA, EB5000XK2A, EB6500XA EG4000CL, EG5000CL, EG6500CL (w/wheel kit installed) EM3800SX, EM5000SX, EM6500SX (w/out battery tray kit)	08P58-Z22-600
Universal Folding Handle Wheel Kit Models: EB4000XA, EB5000XK2, EB6500XK1 EM4000SX, EM5000SXX3, EM6500SXX2, EU6500isA	08P57-Z25-500
EB5000i, EB7000i, EM5000is, EM7000is	08P57-Z11-200
EB6500SX, EM6000GP	08P57-ZD1-000
EB10000 (Silver, red Honda logo)	08P57-Z26-100
EB11000, EX5500, EX5500K1 (w/out wheel kit installed)	08P57-ZA0-A80
EB11000 (w/wheel kit installed)	08P57-YZA-000
EG3500, EG5000, EX2200	08361-340008G
EG4000CLA, EG5000CLA, EG6500CLAT (w/out wheel kit installed)	08P58-Z30-000
EL5000, ES6500, EX6500K1/K2	08P57-ZA0-B80
EM3500X, EM3500SX/SXK1, EM5000X/XK1, EN2500, EP2500, EZ3500, EZ5000 (no handle)	08P34-ZC2-000
EM3800SX, EM5000SX, EM6500SX (fits over battery tray kit)	08P57-Z22-300
EX3300S, EX4500S, EXW171	08P57-ZB8-180
EU1000i (Silver, Honda Generator logo)	08P57-ZT3-00S
EU1000i (Silver, heavy duty cover)	08P58-ZT3-100S
EU1000i (Silver, RV cover material)	08P59-ZT3-00S
EU1000i (Silver, Honda Marine logo)	08381-340023
EU1000i (Camouflage)	08P57-ZT3-00G
EU1000i (Camouflage, heavy duty cover)	08P58-ZT3-100G
EU1000i (Blue Sunbrella, Honda Marine logo)	08391-340024

## Covers (Cont.)

Model(s)	Part Number
EB2000i, EB2200i, EU2000i, EU2200i (Silver, Honda Generator logo)	08P57-Z07-00S
EB2000i, EB2200i, EU2000i, EU2200i (Silver, heavy duty cover, includes access to carrying handle)	08P58-Z07-100S
EB2000i, EB2200i, EU2000i, EU2200i (Silver, Honda Marine logo)	08381-Z07-002
EB2000i, EB2200i, EU2000i, EU2200i (Camouflage)	08P57-Z07-00G
EB2000i, EB2200i, EU2000i, EU2200i (Camouflage, heavy duty cover)	08P58-Z07-100G
EB2000i, EB2200i, EU2000i, EU2200i (Blue Sunbrella, Honda Marine logo)	08391-Z07-003
EU3000i Handi (Silver, Honda Generator logo)	08P58-Z28-00S
EU3000i Handi (Camouflage, no logo)	08P58-Z28-00G
EU3000i Handi (Blue Sunbrella, Honda logo)	08P58-Z28-00B
EU3000is (Silver, Honda Generator logo)	08P57-ZS9-00S
EU3000is (Silver, handle openings for 2-wheel kit)	08P60-ZS9-00S
EU3000is (Silver, heavy duty cover)	08P58-ZS9-100S
EU3000is (Camouflage)	08P57-ZS9-00G
EU3000is (Camouflage, heavy duty cover)	08P58-ZS9-100G
EU3000is (Blue Sunbrella, Honda logo)	08P59-ZS9-00B
EU6500isA, EU7000iS	08P57-Z25-500

## Light Kits

Lightweight, folding 500 watt quartz halogen Tele-Lite kit. Contact Tele-Lite at 800-538-0022 for replacements parts.

Model(s)	Part Number
EU1000i	08602-ZT3-010AH
EU2000i/EU2200i/EB2000i/EB2200i	08602-Z07-020AH



## Hour Meter

Description	Part Number
When you really want to keep track of use and help ensure prompt maintenance, an hour meter kit is the answer. The meter kit is self-powered and has a large 7-segment LCD display. Indicates RPM when operating. Indicates hours when engine is OFF. For use on all Honda-powered products.	08181-ENM-036AH



## Theft Deterrent Bracket

Custom-made, powder-coated steel bracket with tamper-proof bolts to deter thieves from cutting the plastic handle and removing a cable lock.

Model(s)	Part Number
EB2200i, EU2000i, EU2000i Companion, EU2200i	63230-Z07-010AH





***Parallel Cables & Kits***

<b>Model</b>	<b>Description</b>	<b>Part Number</b>
EU1000i EU2000i, EU2200i**	Parallel cable links two EU1000i, two EU2000i**, two EU2200i**; output is limited by the capacity of the receptacles	08E93-HPK-123HI

## Plugs and Connectors

Plugs and connectors are available for a range of applications, from 15A~50A and 125/250V AC configurations. The application table below lists generator/welder models and the plug styles they use.

Plugs (male) fit the matching receptacle on the generator. Most plugs are rugged nylon construction with heavy-duty screw terminals.

Connectors (female) are used on the ends of cords and are required to connect a generator to a transfer switch.

### Plug Style Application Guide

Model(s)	Plug Style
EB10000	C F H I
EB11000	C F H I
EB2000i	K
EB3000C	F N
EB5000	C F H
EB5000X	C F H
EB6500X	C F H
EG3500/K1	C F G
EG4000CL	C F G
EG5000CL	C F G
EG5000XK1	C F H
EG6500CL	C F H
EM3000C	C
EM4000SX	C F G
EM5000is	C F H
EM5000SX	C F H
EM6000GP	C F H
EM6500SX	C F H
EM7000is	C F H
ES6500/K1/K2	C F H
EU1000i	B
EB2200i, EU2000i, EU2200i	C
EB2200i, EU2000i Companion, EU2200i	F J
EU3000i/is	C F
EU6500is	C F H
EU7000is	C F H

Note: A “B” plug can be used in a “C” receptacle.

## Plugs and Connectors (cont.)

Plug Style	Description	Rating	NEMA	Part Number
A	2-prong	15A, 125V	-	commercially available
B	3-prong	15A, 125V	5-15	NA
C	3-prong	20A, 125V	5-20	NA
F	3-prong locking	30A, 125V	L5-30	NA
G	4-prong locking	20A, 125/250V	L14-20	32312-899-630
H	4-prong locking	30A, 125/250V	L14-30	32310-ZA0-630
I	3-pole, 4-wire, locking	50A, 125/250V	CS6365N*	32310-ZC6-630
J	Locking	20A, 250V	-	NA
K	DC charging cord (T-prongs)	10A, 24V	-	NA
L	Locking	30A, 250V	-	NA
M	3-prong (EN model)	20A, 250V	6-20	NA
N	3-prong locking	20A, 125V	L5-20	32311-899-630






## Locking Plug Application Guide

Generator	Rating	Plug (Male)		Plug (Female)	
		NEMA	PN	NEMA	PN
EB3000c EM3000c EU3000is, EU3000i	30A, 125V only	L5-30	NA	L5-30	NA
EB3500, EB3800, EB4000 EG3500 EM3500X, EM3800, EM4000 EX3300 EZ3500, EZ5000	20A, 125/250V	L14-20	32312-899-630	L14-20	NA
EB5000, EB6500 EG5000 EM5000, EM5000is, EM6000GP, EM6500SX1A, EM7000is ES6500 EU6500is	30A, 125/250V	L14-30	32310-ZA0-630	L14-30	NA
EB11000, EB12D	50A, 125/250V	CS6365N*	32310-ZC6-630	CS6364N*	NA

## Plugs and Connectors (cont.)

### Locking Plugs for Generator Receptacles

Check the generator receptacles to determine the type needed. Refer to the instructions included with the plug for wiring.

Plug Style	Rating	NEMA	Part Number	Receptacle Configuration Illustration
F	30A, 125V	L5-30	NA	
G	20A, 125/250V	L14-20	32312-899-630	
H	30A, 125/250V	L14-30	32310-ZA0-630	
I	50A, 125/250V	CS6365N*	32310-ZC6-630	
N	20A, 125V	L5-20	32311-899-630	

***Remote Control Starting Kits & Parts***

Now you can start and stop some generators from a remote location. The remote control panel has a pilot light and includes cable. Note: For use with generators equipped with electric start and automatic choke only (listed below).



06610-Z22-800ZA

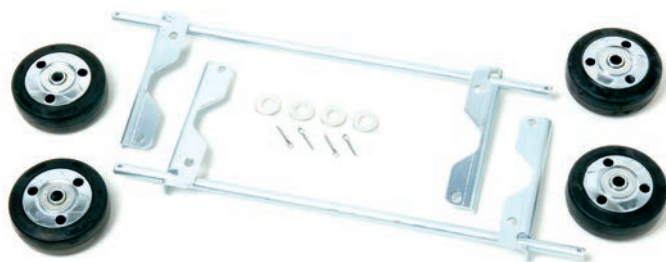


<b>Model</b>	<b>Kit Part Number and Description</b>	<b>Kit Components</b>
EM3500SX/SXK1	06610-ZB4-000ZB (remote kit)	31690-893-720 (25' 6-wire remote cable)
EM3800SX	06610-Z22-800ZA (remote kit w/30' cable)	
EM5000is	06610-Z22-800ZA (remote kit w/30' cable)	
EM5000SX/SXK1	06610-ZB4-000ZB (remote kit)	31690-893-720 (25' 6-wire remote cable)
EM5000SXK2	06610-Z22-800ZA (remote kit w/30' cable)	
EM5000SXK3	06610-Z22-800ZA (remote kit w/30' cable)	
EM6500SXK1	06610-Z22-800ZA (remote kit w/30' cable)	
EM6500SXK2	06610-Z22-800ZA (remote kit w/30' cable)	
EM7000is	06610-Z22-800ZA (remote kit w/30' cable)	
EU6500is	32380-Z11-810ZA (remote kit w/30' cable)	
EU7000is	32380-Z37-800ZA (wired remote kit w/33' cable)	
	32380-Z37-820ZA (wired remote kit w/98' cable)	

## Wheel Kits



06710-ZB4-800



06423-ZS9-T30

It's not always easy or convenient to lift a generator, so Honda offers both 2-wheel and 4-wheel kits. All have rubber tires and make moving a generator a breeze.

Model	Part Number
<b>2-Wheel Kits (include handlebars, grips, two wheels, one axle, two legs, and all hardware)</b>	
EB2800i, EG2800i	06425-Z43-001AH
EB3500X, EB3500XK1, EB5000X, EB5000XK1, EM3500X, EM-3500SX, EM3500SXX1, EM5000SX, EM5000SXX1, EW171	06710-ZB4-800
EG4000CL, EG5000CL, EG6500CL	06710-Z22-A40ZA
EU3000is	06425-ZS9-020AH
EU3000is Hardware Kit (replacement hardware included with wheel kit)	06425-ZS9-010KT
<b>4-Wheel Kits (include four wheels, two axles, and all hardware)</b>	
EB3500X, EB3500XK1, EM3500X, EM3500SX, EM3500SXX1, EB5000X, EB5000XK1, EM5000SX, EM5000SXX1, EM6000GP, EB6500SX	06710-ZB4-010
EU3000is 4-wheel kit w/locking front swivel casters and 6" rear wheels	06424-ZS9-000AH
EU3000is 4-wheel kit w/out locking feature	06423-ZS9-T30



**Bulk Starter Rope** ..... 16

**Grass Bag Kits & Parts**..... 16

**Kits & Parts** ..... 17

*HRC216K2, HRC216K3 Single Blade Spacer Kit*..... 17

*Side Discharge Chute* ..... 17

**Kits & Parts (cont.)**..... 18

*Deck Guard Kits*..... 18

*HRS216 Twin-Blade Conversion*..... 18

*Silver Lawn Mower Cover*..... 18

**Kits & Parts (cont.)**..... 19

*Leaf Shredders*..... 19

*Spark Arrester Kits*..... 19

**Kits & Parts (cont.)**..... 20

*Battery Float Charger*..... 20

**Kits & Parts (cont.)**..... 21

*Charger Harness Kit*..... 21

## Bulk Starter Rope

Size & Length	Diameter	Part Number
#3.5 x 200'	0.109 in (diameter)	08535-ZG921-11
#4 x 200'	0.122 in (diameter)	08540-ZG921-11
#4.5 x 200'	0.140 in (diameter)	08545-ZG921-11
#5 x 200'	0.156 in (diameter)	08550-ZG921-11
#5.5 x 200'	0.170 in (diameter)	08555-ZG921-11
#6 x 200'	0.187 in (diameter)	08560-ZG921-11
#7 x 200'	0.210 in (diameter)	08570-ZG921-11



## Grass Bag Kits & Parts

When you want the best possible lawn appearance, you just can't beat a grass bag. Clippings are blown into the ventilated bag for easy handling and disposal. Build your own kit with the following parts.

STANDARD GRASS BAGS			
<b>HRC216K2, HRC216K3 GRASS BAG KIT (COMPLETE KIT)</b>			
Complete kit	06813-VK6-000		
<b>HRN216</b>			
Frame	81330-VR8-N00	Fabric grass bag	81320-VR8-N00
<b>HRR216K0~K2, HRT216K0~K2, HRZ216</b>			
Frame comp, bag	81330-VG4-020	Fabric comp, grass bag	81320-VG4-A10
<b>HRR216K3~K7</b>			
Frame	81330-VG4-020	Fabric grass bag	81320-VL0-B10
<b>HRR216K8~K11</b>			
Frame	81330-VL0-P00	Fabric grass bag	81320-VL0-P00
<b>HRX217</b>			
Frame (collapsible)	81330-VH7-D01	Fabric comp, grass bag	81320-VH7-D00
OPTIONAL GRASS BAGS			
<b>HRX217K0 and Later LOW DUST GRASS BAG KIT (COMPLETE KIT)</b>			
Complete kit	04813-VH7-K50	Fabric grass bag	81320-VH7-K51



**HRC216K2, HRC216K3 Single Blade Spacer Kit**

For single blade operation, install this spacer in place of the upper blade. **Not for use on HRN/HRR/HRX twin-blade models.**



Single Blade Spacer Kit	06725-VK6-000
-------------------------	---------------

**Side Discharge Chute**

Convert a rear-bag lawn mower to side-discharge. This is a simple, 90-degree elbow that slips onto the rear of the unit and is held in place by the rear guard. The chute is made of tough polyethylene. **Not for use on HRR216K8~K11, HRX217 or HRN216 mowers.**



HRC216K2, HRC216K3	06814-VK6-000
HRR216K0~K7, HRT216, HRZ216	06814-VG4-010

## Kits & Parts (cont.)

### Deck Guard Kits

Honda mower decks are built tough, but you can add these all-steel guards to protect the sides of the deck from wear. These guards are standard equipment on walk-behind commercial mowers.



HR215K0, HR215K1 (2 guards included)	06761-VA3-690
HRB215, HRB216, HRB217, RM215 (2 guards included)	06761-VE2-000
HRX217 (2 stainless steel guards included)	06761-VH7-000AH

### HRS216 Twin-Blade Conversion

Convert a single blade HRS216 to a twin-blade configuration.



Maximum cutting performance	
Upper Blade	72531-VE2-020
Lower Blade	72511-VE1-020
Maximum mulching performance	
Upper Blade	72531-VE2-020
Lower Blade	72511-VG4-K00

### Silver Lawn Mower Cover

Protect your walk behind (21" deck) lawn mower with a custom fitted waterproof, breathable polyester cover.



21" deck, red logo	08P59-VE2-000AH
21" deck, black logo	08P59-VE2-010AH

## Kits & Parts (cont.)

### Leaf Shredders

Use this special shredder to chop up leaves. It helps to better pack the grass bag, so it won't have to be emptied as often. **Not for use on HRR216K9~K11, HRX217 or HRN216 models.**

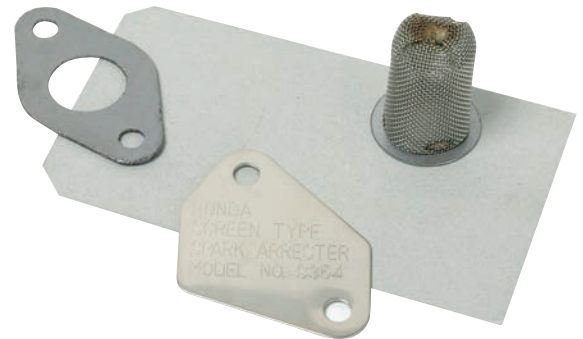


HRB215, HRB216, HRB217, HRM215	81510-VE2-000
HRR216 (K0~K8), HRT216, HRZ216	81560-VG4-000

HRX217(K6), HRN216	
Muffler Assy (Arrestor)	18300-Z9L-800
Spark Arrestor Equipped Muffler with ID mark	

### Spark Arrester Kits

To help reduce fire hazards when mowing in extremely dry conditions, install this kit. A spark arrester is mandatory on any unit operated in a U.S. National Forest.



HR21, HR21K1, HR21K2, HRA21	06180-888-505
HR194, HR195, HR214, HR215, HR216, HRA214, HRA215, HRA216, HRB215, HRC215, HRC216, HRM195, HRM215	06180-ZE6-820 (Shown)
HRB216, HRB217, HRR216, HRS216, HRT216, HRZ216, HRX217	
Arrestor kit	06180-Z0J-000
Arrestor, spark	18350-ZL8-000
Plate	18356-ZL8-000
Screw, tapping (4 x 6 mm)	90055-ZE1-000

## Kits & Parts (cont.)

### Battery Float Charger

The accessory float charger can be used to supplement the on-board charging system and features a 'float mode,' allowing it to be left connected continuously between uses or during long-term storage. This maximizes battery life and ensures the battery is always fully charged and ready when your customer is ready to mow.



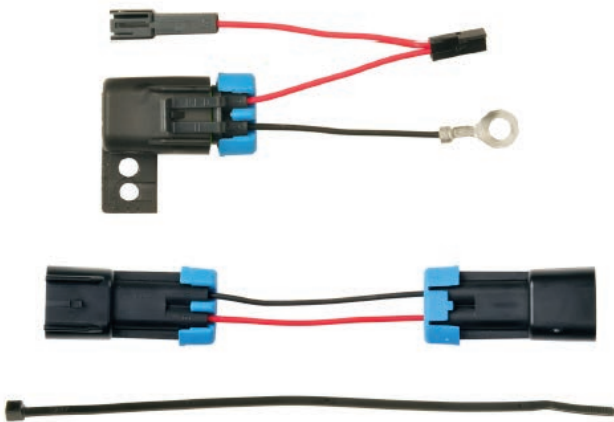
HRN216VLC (MANA-1000001~subsequent), HRR216K11VLC (MZCG-1660001~1999999), HRR216K10VLC (MZCG-1140001~1660000), HRR216K9VLC (MZCG-9349371~9999999), (MZCG-1000001~1140000) HRX217K6VLC (MAMA-1000001~subsequent) HRX217K6HZC (MAMA-1000001~subsequent) HRX217K5VLC (MAGA-2417295~subsequent), HRX217K5HZC (MAGA-2417295~subsequent)	31570-VH7-S31 or 06320-VH7-UA2
--	--------------------------------------

**Charger Harness Kit**

The charger harness kit is available for earlier models that were not equipped with a charger connection. The kit equips the lawn mower with a charge connector, allowing the charger to be quickly connected without having to remove the battery from the lawn mower.

Note: Does not include required Battery Float Charger Kit.

(part # 06320-VH7-UA2 or 31570-VH7-S31 )



HRR216K9VLC (MZCG-8670001~9349370), HRX217K4HZC (MZCG-2200001~2369999) HRX217K4VLC (MZCG-2200001~2369999) HRX217K5HZC (MAGA-2370001~2417294), HRX217K5VLC (MAGA-2370001~2417294)	06320-VH7-S00
---	---------------





<b><i>FG110 Accessories</i></b> .....	<b>24</b>
<b><i>Kits &amp; Parts</i></b> .....	<b>25</b>
<i>Furrower Kits</i> .....	25
<i>F200, F210 Replacement Tine Kit</i> .....	25
<i>F220C Side Disk Kit</i> .....	25
<i>FG110 Replacement air filter</i> .....	25

# TILLERS

**HONDA**

## FG110 Accessories



Aerator Kit  
06727-V25-000



De-thatcher (K1 only)  
06720-V25-630



Border/Edger Kit  
06728-V25-000



Digging Tines Kit  
06726-V25-010

FG110 (K0/K1) Replacement Parts			
Accessory	Part Name	Part Number	Qty. Required
Aerator	Tine, aerator	72580-V25-000	4
Edger	Wheel, edger	42810-V25-000	1
	Tine, edger	72680-V25-000	1
Digging Tines	Tine, digging	72463-V25-010	4
De-thatcher	Strap, fender (8" long)	65154-V06-003	1



***Kits & Parts***

**Furrower Kits**

Replace the drag bar with a Honda furrower. Simple installation.



Model	Part Number
F200, F210, F220 (7 3/4")	72710-729-810
F200, F210, F220 (11")	72700-729-811
F400, F401, F500, F501, FC600 (8")	06725-770-870
*FR500, FR600, FR700, FR800, FRC800 (10")	06724-770-870

\* Removable wings

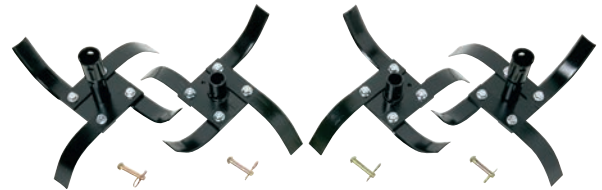
**FG110 Replacement air filter**



Model	Part Number
FG110	17211-Z0H-800

**F200, F210 Replacement Tine Kit**

Ease and increase speed with this kit.



Model	Part Number
F200, F210 Tine Kit	06721-729-305ZA

**F220C Side Disk Kit**

Enhance tilling operations with this side disk kit.



Model	Part Number
*F220C Side Disk Kit	06720-V14-620

\* Standard on Canadian models





**Barrier Kits .....28**

**Blades.....28**

**Debris Shield.....28**

**Kits & Parts .....29**

*Honda VersAttach Blade kit.....29*

**Trimmer Heads .....29**

*Honda Kwik Loader Head Kit .....29*

*Universal Kwik Loader Heads .....29*

**Trimmer Heads (cont.).....30**

*Proulx Manual Trimmer Head .....30*

*Proulx Semi-Matic Trimmer Head .....30*

**Trimmer Heads (cont.).....31**

*Proulx Semi-Pro Trimmer Head.....31*

*Proulx Pro-Tap Trimmer Head .....31*

**Trimmer Line .....32**

## Barrier Kits

A barrier kit must be installed when using a metal blade (except models UMK431UNBA, HHT31SUNBA, and HHT35SUKAT). A barrier kit includes two shields, one for 3 or 4 tooth blades and one for saw (22~80) tooth blades. Kit also includes harness, barrier, and all hardware.

Model	Part Number	Description
HHT25, HHT31, HHT35	06631-VH8-740	for 9 or 10 inch blades
UMK431	06631-VF9-D10	for 9 or 10 inch blades
UMC425, UMC435 with Trimmer Attachment (SSBCC)	76240-VL1-641	Lightweight trimmer attachment guard designed for use only with a string trimmer head.



76240-VL1-641

## Blades

Metal blades, 1 inch arbor.

Model	Part Number	Description
HHT31, HHT35, UMK431	72511-VF9-B02	3 tooth, 10" grass/weed blade
	72511-VF9-B00AH	4 tooth, 10" grass/weed blade
	72511-VF9-D61	50 tooth, 10" weed/brush blade
	72511-VF9-F00AH	80 tooth brush/wood blade
HHT25, UMK422	72511-VF9-A02	3 tooth, 9" grass/weed blade
	72511-VF9-E32	4 tooth, 9" grass/weed blade
	72511-VF9-E00AH	22 tooth, 9" weed/brush blade
UMC425, UMC435 with Trimmer Attachment (SSBCC)	72511-VF9-E32	4 tooth, 9" grass/weed blade

## Debris Shield

Use this debris shield when using a 3 or 4 tooth grass cutting blade. This shield is included in the barrier kits shown above.

Model	Part Number
HHT35SUKCT	76247-VF9-E31

***Kits & Parts***

**Honda VersAttach Blade kit**

The UMBK35C features a solid steel, 9 inch, 3-tooth blade for heavy weeds, overgrown grass, and vines. This kit requires removal of the string trimmer head from the trimmer attachment (SSBCC). The kit includes a steel blade, transportation guards, installation hardware, and instruction manual.



Note: Saw tooth blades cannot be used with this kit/attachment.

Model	Part Number
UMC425, UMC435 with Trimmer Attachment (SSBCC)	UMBK35C

***Trimmer Heads***

**Honda Kwik Loader Head Kit**

Description	Part Number
Kwik Loader Head Kit	06725-VL3-D60
Replacement 1.5 mm washer	90501-VL3-D60



This 2-line Kwik Loader Head Kit is designed specifically to fit Honda HHT25S and HHT35S trimmers. This kit is included with the HHT35SUKCT model, and is an optional accessory for the HHT25SLTCT and the HHT35SLTCT models.

For the UMC425/435 with Trimmer Attachment (SSBCC), order blade holder B, P/N 72621-VF9-003, to allow the Kwik Loader Head Kit to be installed.

**Universal Kwik Loader Heads**

Description	Part Number
3-line head	72580-VF9-730AH
Replacement 1.5 mm washer	90501-VL3-D60



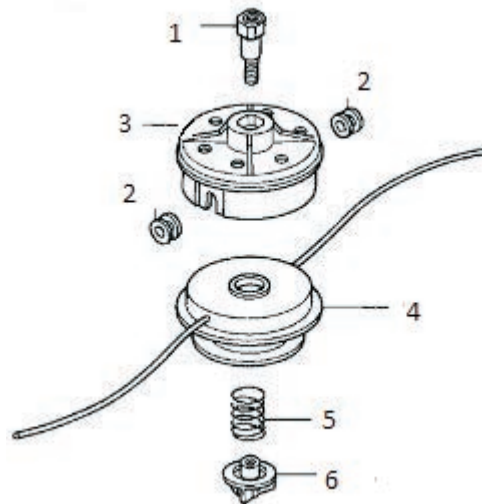
Nylon cutter collar, 76217-VL3-D60, must be used when installing universal fit 3-line Kwik Loader head on Honda trimmers.

For the UMC425/435 with Trimmer Attachment (SSBCC), order blade holder B, P/N 72621-VF9-003, and Nylon Collar, P/N 76217-VL3-D60, to allow the Kwik Loader Head Kit to be installed.

## Trimmer Heads (cont.)

### Proulx Manual Trimmer Head

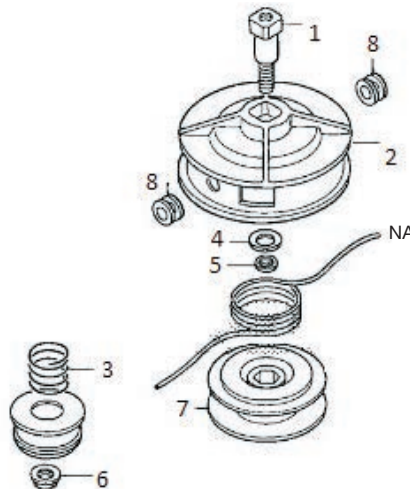
72560-VF9-C12			
No.	Qty.	Name	Part Number
1	1	Drive bolt	72561-VF9-C11
2	2	Eyelet	72562-VF9-C11
3	1	Housing	72566-VF9-C12
4	1	Spool	72563-VF9-C11
5	1	Tension spring	72564-VF9-C11
6	1	Tension knob	72565-VF9-C11



### Proulx Semi-Matic Trimmer Head

Standard equipment on HHT25SLTA models.

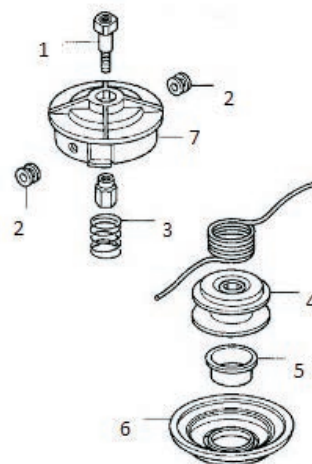
72560-VH8-642AH			
No.	Qty.	Name	Part Number
1	1	Drive bolt	72561-VH8-641
2	1	Housing	72562-VF9-C30AH
3	1	Spring	72564-VF9-C41
4	1	Washer	72564-VF9-C30AH
5	1	Outer drive	72565-VF9-C30AH
6	1	Inner cam	72566-VF9-C30AH
7	1	Spool only	72567-VF9-C30AH
8	2	Eyelet	72562-VF9-C11



## Trimmer Heads (cont.)

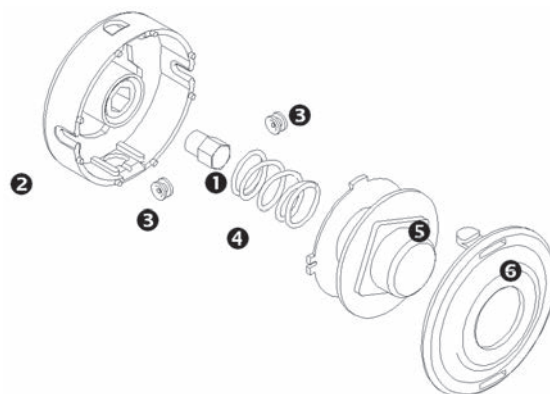
### Proulx Semi-Pro Trimmer Head

72560-VF9-C41			
No.	Qty.	Name	Part Number
1	1	Drive bolt	72561-VF9-C11
2	2	Eyelet	72562-VF9-C11
3	1	Spring	72564-VF9-C41
4	1	Spool only	72563-VF9-C41
5	1	Button	72565-VF9-C41
6	1	Cover	72566-VF9-C41
7	1	Housing	72562-VF9-C41



### Proulx Pro-Tap Trimmer Head

72560-VF9-C33AH			
No.	Qty.	Name	Part Number
1	1	Drive bolt	72561-VF9-C33AH
2	1	Housing	72562-VF9-C33AH
3	2	Eyelet	72562-VF9-C11
4	1	Spring	72563-VF9-C33AH
5	1	Spool only	72564-VF9-C33AH
6	1	Cover	NA



## Trimmer Line

Kwik Loader Pre-Cut KwikBlade Ultra				
Size (in.)	Length	Color	Part Number	Packaging
.095	8"	Green	72581-VF9-09548	50 pack
.105	8"	Orange	72581-VF9-10548	50 pack
.130	8"	Red	72581-VF9-13048	30 pack

Premium Trimmer Line					
Size (in.)	Weight	Length	Color	Part Number	Packaging
.080	8 oz.	200	Bright Orange	72511-080-0200A	Card
.080	8 oz.	200	Grass Green	72511-080-0200B	Card
.080	3 lb.	1200	Bright Orange	72521-080-1200A	Spool
.080	3 lb.	1200	Grass Green	72521-080-1200B	Spool
.095	1 lb.	285	Clear - Quiet	72512-095-0285Q	Doughnut
.095	3 lb.	855	Clear - Quiet	72512-095-0855Q	Spool
.095	5 lb.	1425	Bright Orange	72521-095-1425A	Large Spool
.105	1 lb.	235	Grass Green	72511-105-0235B	Doughnut
.105	3 lb.	705	Grass Green	72521-105-0705B	Spool
.130	1 lb.	150	Bright Orange	72511-130-0150A	Doughnut
.130	1 lb.	150	Grass Green	72511-130-0150B	Doughnut
.130	3 lb.	450	Bright Orange	72521-130-0450A	Spool
.130	3 lb.	450	Grass Green	72521-130-0450B	Spool
.130	3 lb.	750	Bright Orange	72521-130-0750A	Spool
.130	3 lb.	750	Grass Green	72521-130-0750B	Spool
.155	3 lb.	321	Bright Orange	72521-155-0321A	Spool
.155	3 lb.	321	Grass Green	72521-155-0321B	Spool
.155	3 lb.	535	Bright Orange	72521-155-0535A	Spool
.155	3 lb.	535	Grass Green	72521-155-0535B	Spool

Note: Premium Trimmer Line sizes .130 and .155 are in limited supply and will be discontinued once current inventory is depleted.





<b>Kits &amp; Parts .....</b>	<b>34</b>
<i>HS520C/CS, HS720CC Chute Guide Handle.....</i>	<i>34</i>
<i>Auger Skid Shoe Kit.....</i>	<i>34</i>
<i>Cold Weather Cabs.....</i>	<i>34</i>
<i>Drift Breaker Kit.....</i>	<i>34</i>
<b>Kits &amp; Parts (cont.) .....</b>	<b>35</b>
<i>Covers.....</i>	<i>35</i>
<i>Worklight Kit.....</i>	<i>35</i>

## Kits & Parts

### HS520C/CS, HS720CC Chute Guide Handle

This optional handle is shorter than the standard handle. It is designed to provide the operator with increased control of the discharge chute when the snow blower is used in a confined area, such as next to a wall or fence. The standard handle is approximately 18 inches in length, while the optional handle is approximately 11 inches in length.



Chute Guide Handle	76320-V10-800
--------------------	---------------

### Auger Skid Shoe Kit

These light weight polyethylene wear resistant shoe kits will support the auger from damage.



HSS724A, HSS928A, HSS1332A	06769-V45-A00
----------------------------------	---------------

### Cold Weather Cabs

It might be cold and windy outside, but you'll be more comfortable inside this semi-enclosed cold weather cab. This rugged enclosure helps protect you from the weather (and blowing snow!), so you can keep working.



HS Series Cold Weather Cab (excluding HS1336i)	04700-768-9688
HSS Series Cold Weather Cab (shown)	04700-V45-000AH

### Drift Breaker Kit

For heavy snow applications.



HS624/724/828/ 928/1132/1332/1336i	06768-V45-305AH
HSS724A/928A/ 1332A HSM1336i	

## Kits & Parts (cont.)

### Covers

Covers are custom fitted for specific models and made of a waterproof, breathable, urethane-coated polyester fabric.



HS520, HS720 (red logo)	06520-768-000AH
HS724 (red logo)	06724-768-010AH
HSS724A (red logo)	08724-V45-010AH
HS828, HS928, HS1132 (red logo)	06928-768-020AH
HSS928A (red logo) (shown)	08928-V45-020AH
HS1332 (red logo)	06133-276-8030A
HSS1332A (red logo)	08332-V45-030AH
HS1336i (red logo)	06133-676-8030A

### Worklight Kit

Don't let a low-light environment keep you or your snow thrower from working. This kit features a halogen bulb and includes all hardware and instructions.



HS624, HS724	06350-767-100AH
HS622TA	06600-743-800
HS828, HS928	06350-768-000AH
Replacement bulb	34901-768-000AH





<b><i>Adapters &amp; Clamps .....</i></b>	<b><i>38</i></b>
<b><i>Couplers - Assemblies &amp; Parts .....</i></b>	<b><i>39</i></b>
<b><i>Couplers - Assemblies &amp; Parts (cont.).....</i></b>	<b><i>40</i></b>
<b><i>Couplers - Assemblies &amp; Parts (cont.).....</i></b>	<b><i>41</i></b>
<b><i>Hose - Assemblies.....</i></b>	<b><i>42</i></b>
<b><i>Hose - Assemblies (cont.).....</i></b>	<b><i>43</i></b>
<b><i>Hose - Boxed Kits.....</i></b>	<b><i>44</i></b>
<b><i>Lift &amp; Wheel Kits .....</i></b>	<b><i>45</i></b>
<b><i>Nozzles .....</i></b>	<b><i>45</i></b>
<b><i>Strainers (Metal &amp; Plastic) .....</i></b>	<b><i>46</i></b>
<b><i>Strainers (Steel) .....</i></b>	<b><i>47</i></b>
<b><i>Tools .....</i></b>	<b><i>47</i></b>

## Adapters & Clamps

### Aluminum Fire Hose Adapters (Female NPSH x Male NST)

Allows connection to standard fire hoses for use on job sites.



WB20X, WH20X, WT20X, WMP20X 2" x 1-1/2"	JRLA-20NPF-15NHM
WB20X, WH20X, WT20X, WMP20X 2" x 2-1/2"	JRLA-20NPF-25NHM
WB30X, WT30X, WDP30X 3" x 2-1/2"	JRLA-30NPF-25NHM
WH15X, WX15 1-1/2" x 1-1/2"	JRLA-15NPF-15NHM
WH15X, WX15 1-1/2" x 2-1/2"	JRLA-15NPF-25NHM

### WX10 1" NPT – 3/4" Garden Hose Adapter

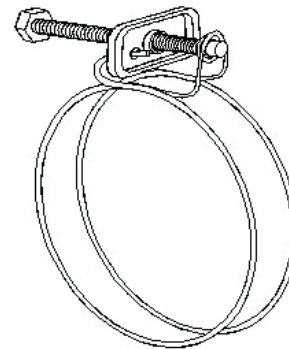
Use this special joint to connect a 2" female metal strainer to a hose. Requires a 2" clamp set.



Garden Hose Adapter	78173-YE9-611
---------------------	---------------

### Clamps and Clamp Sets

Clamps and clamp sets are used to connect male joints and other coupling assemblies to a hose.



1" band clamp	78139-YB0-710
1.5" band clamp	78139-YB0-760
2" band clamp	78139-YB3-000

**Couplers - Assemblies & Parts**

**Threaded Coupling Parts**

A coupling assembly connects a suction or discharge hose to a pump. Order one hose joint, one threaded coupler, and one gasket for a complete assembly (NPT thread).

1" threaded coupling assembly



1" hose joint	78311-YB0-710
1" threaded coupler	78312-YE9-000
1" gasket	78178-YE9-800

**Aluminum Male Camlock Adapter (Female NPT)**



WB20X, WH20X, WMP20X, WT20X	QA-200-DCH
WB30X, WDP30X, WT30X	QA-300-DCH
WH15X, WX15	QA-150-DCH
WT40X	QA-400-DCH
WX10	QA-100-DCH

**Aluminum Male Camlock Adapter (Male NPT)**



WB20X, WH20X, WMP20X, WT20X	QF-200-DCH
WH15X, WX15	QF-150-DCH
WT40X	QF-400-DCH

## Couplers - Assemblies & Parts (cont.)

### Aluminum Female Camlock Coupler (Female NPT)



WB20X, WH20X, WMP20X, WT20X	QD-200-DCH
WB30X, WT30X	QD-300-DCH
WH15X, WX15	QD-150-DCH
WT40X	QD-400-DCH

### Aluminum Female Camlock Coupler (Male NPT)



WB20X, WH20X, WMP20X, WT20X	QB-200-DCH
WB30X, WT30X	QB-300-DCH
WH15X, WX15	QB-150-DCH
WT40X	QB-400-DCH

### Aluminum Male Hose Shank Camlock Adapter



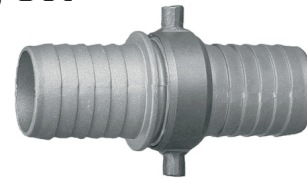
WB20X, WH20X, WMP20X, WT20X	QE-200-DCH
WB30X, WT30X	QE-300-DCH
WH15X, WX15	QE-150-DCH
WT40X	QE-400-DCH

### Aluminum Female Hose Shank Camlock Coupler



WB20X, WH20X, WMP20X, WT20X	QC-200-DCH
WB30X, WT30X	QC-300-DCH
WH15X, WX15	QC-150-DCH
WT40X	QC-400-DCH
WX10	QC-100-DCH

### Aluminum with Brass Swivel Pin Lug Coupling Set



WB20X, WH20X, WMP20X, WT20X	SU-200-SBH
WB30X, WT30X	SU-300-SBH
WH15X, WX15	SU-150-SBH
WT40X	SU-400-SBH

### Aluminum with Brass Swivel Female Pin Lug



WB20X, WH20X, WMP20X, WT20X	SF-200-SBH
WB30X, WT30X	SF-300-SBH
WH15X, WX15	SF-150-SBH
WT40X	SF-400-SBH



***Couplers - Assemblies & Parts (cont.)***

**Camlock Gaskets**



WB20X, WH20X, WMP20X, WT20X	QRG-200-00H
WB30X, WT30X	QRG-300-00H
WH15X, WX15	QRG-150-00H
WT40X	QRG-400-00H
WX10	QRG-100-00H

**Pin Lug Gaskets**



WB20X, WH20X, WMP20X, WT20X	SRW-200-00H
WB30X, WT30X	SRW-300-00H
WH15X, WX15	SRW-150-00H
WT40X	SRW-400-00H

**Spanner Wrench with Pin Lug Style Fitting**



WB20X, WH20X, WMP20X, WT20X	SW-200-00H
WB30X, WT30X	SW-300-00H
WH15X, WX15	SW-150-00H
WT40X	SW-400-00H

**Steel-Plated Combination Pipe Nipples**



WB20X, WH20X, WMP20X, WT20X	CN-200-SPH
WB30X, WT30X	CN-300-SPH
WH15X, WX15	CN-150-SPH
WT40X	CN-400-SPH

## Hose - Assemblies

**125 PSI 50' Heavy-Duty Mill Discharge Hose Assembly (Coupled Camlock)**



WB20X, WH20X, WMP20X, WT20X	1130-2000-50CEH
WB30X, WT30X	1130-3000-50CEH
WH15X, WX15	1130-1500-50CEH
WT40X	1130-4000-50CEH

**125 PSI 50' Heavy-Duty Mill Discharge Hose Assembly (Coupled Male/Female Pin Lug)**



WB20X, WH20X, WMP20X, WT20X	1130-2000-50H
WB30X, WT30X	1130-3000-50H
WH15X, WX15	1130-1500-50H
WT40X	1130-4000-50H

**50' Blue Goodyear Spiraflex Discharge Hose Assembly (Coupled Camlock)**



WB20X, WH20X, WMP20X, WT20X (80 psi)	1148-2000-50CEH
WB30X, WT30X (55 psi)	1148-3000-50CEH
WH15X, WX15 (90 psi)	1148-1500-50CEH
WT40X (50 psi)	1148-4000-50CEH

**50' Blue Goodyear Spiraflex Discharge Hose Assembly (Coupled Male/Female Pin Lug)**



WB20X, WH20X, WMP20X, WT20X (80 psi)	1148-2000-50H
WB30X, WT30X (55 psi)	1148-3000-50H
WH15X, WX15 (90 psi)	1148-1500-50H
WT40X (50 psi)	1148-4000-50H

**Blue Goodyear Spiraflex Discharge Hose (100' Bulk)**



WB20X, WH20X, WMP20X, WT20X (80 psi)	1148-2000-100H
WB30X, WT30X (55 psi)	1148-3000-100H
WH15X, WX15 (90 psi)	1148-1500-100H

**20' Green PVC Water Suction Hose Assembly (Coupled Camlock & Pipe Nipple)**



WB20X, WH20X, WMP20X, WT20X	1240-2000-20CNH
WB30X, WT30X	1240-3000-20CNH
WH15X, WX15	1240-1500-20CNH
WT40X	1240-4000-20CNH

**Standard Suction Hose**

Use the right hose for the right job. Honda offers standard suction hose in three diameters. Hose only, does not include fittings.



1" (16.4 ft / 5 m long)	78330-YB0-710AH
1.5" (16.4 ft / 5 m long)	78151-YB0-751

**Brass Cam Arm Assembly Service Kits**

Order 2 per coupler.



1.5" and 2" pumps	06200-YB0-000AH
3" and 4" pumps	06300-YB0-000AH

**Hose - Assemblies (cont.)**

**20' Green PVC Water Suction Hose Assembly (Coupled Male & Female Pin Lug)**



WB20X, WH20X, WMP20X, WT20X	1240-2000-20H
WB30X, WT30X	1240-3000-20H
WH15X, WX15	1240-1500-20H
WT40X	1240-4000-20H

**Heavy-Duty Center Punch Clamp Tool & Clamps**



WB20X, WH20X, WMP20X, WT20X	BCP-10-00H
WB30X, WT30X	BCP-16-00H
WH15X, WX15	BCP-80-00H
WT40X	BCP-20-00H
WX10	BCP-60-00H
Tool 1" ~ 4" pumps	BCP-P1000H

## Hose - Boxed Kits

**20' Green Suction, 50' Blue Discharge, 3/8" Steel Strainer (Coupled Camlock & Pipe Nipple Including Male Adapters)**



WX15	124015-1148-CLK
WB20X, WMP20X, WT20X	124020-1148-CLK
WB30X, WT30X	124030-1148-CLK
WT40X	124040-1148-CLK

**20' Green Suction, 50' Blue Discharge, Polycarbonate Nozzle, 1/8" Steel Strainer (Coupled Male & Female Pin Lug)**



WH15X (high pressure), WX15	124015H-1148-WH
WH20X (high pressure)	124020H-1148-WH

**20' Green Suction, 50' Blue Discharge, 3/8" Steel Strainer (Coupled Male & Female Pin Lug)**



WX15	124015-1148-PIN
WB20X, WMP20X, WT20X	124020-1148-PIN
WB30X, WT30X	124030-1148-PIN
WT40X	124040-1148-PIN

*Lift & Wheel Kits*

**Two Wheel Kits**

Greatly improves the portability of the pump.



WT20, WT30, WT40	50130-YG1-000AH
------------------	-----------------

**Nozzles**

**Adjustable Brass Hose Nozzle**

Rated at 51 gpm @ 50 psi. Minimum recommended operating pressure is 25 psi.



WB20X, WH20X, WMP20X, WT20X	JAHN-200-B1H
WH15X, WX15	JAHN-150-B0H

**Replacement Hose Nozzle Gaskets (Brass & Poly)**

Replacement Hose Nozzle Gaskets (Brass & Poly)



WB20X, WH20X, WMP20X, WT20X	JAHNG-200-00H
WH15X, WX15	JAHNG-150-00H

**Adjustable Red Polycarbonate Hose Nozzle**

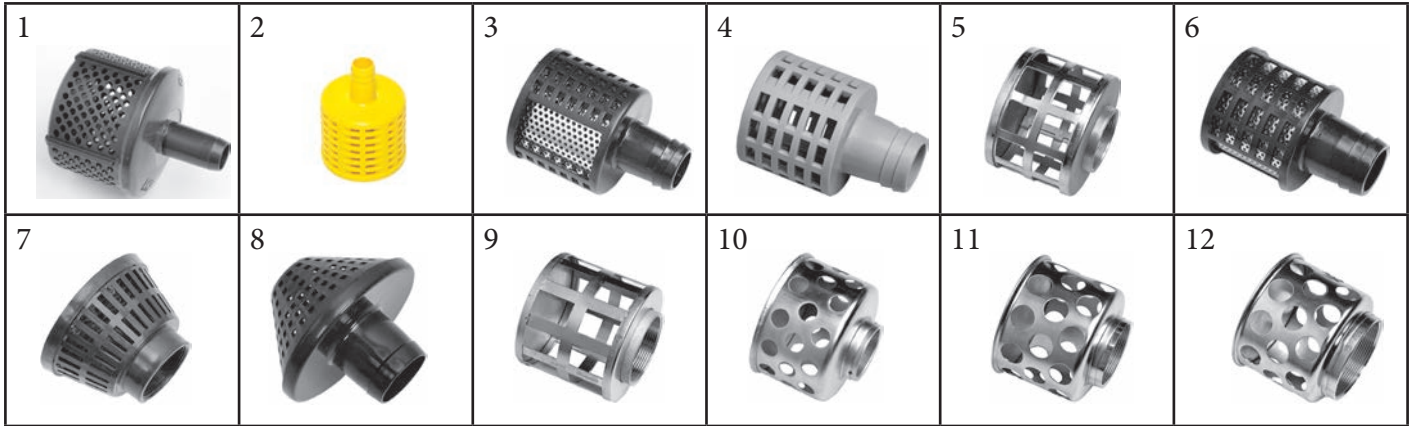
Minimum recommended operating pressure is 25 psi.



WB20X, WH20X, WMP20X, WT20X (rated at 51 gpm @ 50 psi)	JAHN-200-P0H
WH15X, WX15 (rated at 59 gpm @ 50 psi)	JAHN-150-P0H

## Strainers (Metal & Plastic)

Make sure only the right stuff goes through your Honda pump. We offer plastic strainers for regular pumps and rugged, metal strainers for trash pumps.



NO	MODEL	PART NUMBER	PUMP STYLE	MATERIAL	PUMP SIZE
1	WX10	78325-YB0-711AH	nipple	plastic	1"
2	WA/WB/WX15	78325-YB0-711	nipple	plastic	1.5"
3	WH15X	78325-YB7-020	nipple	plastic	1.5"
4	WB20X	78325-YB3-010	nipple	plastic	2"
5	WDP20X	M51-0000-078	female	metal	2"
6	WH20X	78325-YB7-702	nipple	plastic	2"
7	WMP20X	78325-YE0-003	female	plastic	2"
8	WP20X	78325-YE5-003	nipple	plastic	2"
9	WDP30X	W70-2903-000	female	metal	3"
10	WT20X	78325-YG0-003	female	metal	2"
11	WT30X	78325-YG1-003	female	metal	3"
12	WT40X	78325-YG2-003	female	metal	4"

**Strainers (Steel)**

**3/8" NPT Hole Steel Strainers**



WX15 1.5" round	SRHS-150-00H
WB20X, WMP20X, WT20X 2" round	SRHS-200-00H
WB30X, WT30X 3" round	SRHS-300-00H
WT40X 4" round	SRHS-400-00H

**1/8" NPT Hole Steel Strainers**



WH15X (high Pressure), WX15 1-1/2" round	SRHS-150-SMH
WH20X (high pressure) 2" round	SRHS-200-SMH

**Steel Skimmer Strainers - NPT Threads**



WB20X, WH20X, WMP20X, WT20X 2" top hole (3/8" hole)	SSKS-200-TH
WB30X, WT30X 3" top hole (3/8" hole)	SSKS-300-TH
WH15X, WX15 1.5" top hole (3/8" hole)	SSKS-150-TH
WX10 1" bottom hole (1/16" hole)	78325-YB0-712AH

**Tools**

**Water Pump Vacuum Tester**

This special tool provides a quick and easy way to confirm that your centrifugal pumps are developing the proper suction vacuum, ensuring they will prime and operate properly.



Vacuum Tester	07APJ-YB3A100
---------------	---------------





<b>Essential Fluids</b> .....	<b>50</b>
<i>Genuine Honda Engine Oils</i> .....	50
<i>Fuel Stabilizer</i> .....	50
<i>Hypoid Gear Oil</i> .....	50
<i>Hydrostatic Fluid (HST Oil)</i> .....	50
<b>Service and Maintenance</b> .....	<b>51</b>
<i>Foam Filter Oil - FG110</i> .....	51
<i>Foam Filter Oil</i> .....	51
<i>Contact/Brake Cleaner</i> .....	51
<i>Carburetor Cleaner</i> .....	51
<i>Rust Penetrant</i> .....	52
<i>Spray Cleaner and Polish</i> .....	52
<i>Silicone Spray and Grease</i> .....	52
<i>Engine Degreaser</i> .....	52
<i>Hondalock1</i> .....	53
<i>White Lithium Grease</i> .....	53
<i>Lithium Dielectric Grease</i> .....	53
<i>Hondalock 2HT</i> .....	53
<i>Moly 77 Paste</i> .....	54
<i>Hondabond HT</i> .....	54
<i>Hondabond 4</i> .....	54
<i>Weatherstrip Cement</i> .....	54
<i>Handgrip Cement</i> .....	55
<i>Honda Red Touch Up Paint Pen</i> .....	55
<i>Honda Red Spray Paint</i> .....	55
<i>Hondabrite</i> .....	55

## Essential Fluids

### Genuine Honda Engine Oils

Always follow recommendations provided in the product owner's manual.



0w30 1L (12 per case)	Pro Honda label CB68956
5w30 1L (12 per case)	CB68006
10w30 1L (12 per case)	CB68010

### Fuel Stabilizer

Genuine Honda Fuel Stabilizer formula prevents gasoline-related problems during periods of extended storage. Prevents rust, freezing, or gelling of fuel. Keeps jets and float bowls free of gummy residue. Equipment stays “ready-to-use.”



500 ml (12 per case)	CA66926
----------------------	---------

### Hypoid Gear Oil

Provides protection against wear, scuffing, and corrosion, even under heavy loads. SAE 80W-90, API service classification GL-5. Not for marine use.



1 L (12 per case)	08707-80W90HGO
-------------------	----------------

### Hydrostatic Fluid (HST Oil)

Designed specifically for Honda hydrostatic transmissions. Provides maximum transfer of power; maximum efficiency. Pour point exceeds -50 °C. Note that some Honda hydrostatic transmissions do not use this fluid. Always refer to the shop manual for the correct fluid specification.



1 L (12 per case)	CB68985
-------------------	---------

**Service and Maintenance**

**Foam Filter Oil - FG110**

MOTUL oil is specifically designed for foam air filters. The super-tacky formula retains dirt, mud, and sand particles, thereby significantly increasing the life of the engine. The oil also repels water to help keep it from penetrating into the filter.

This is the factory required oil for the FG110.



118 ml	08207-MTL-100
--------	---------------

**Foam Filter Oil**

Foam Air Filter Oil is used for all foam-type air filters. Low-viscosity solvent additives permit easy application and thorough penetration. Protects against dirt, dust and sand. Won't drip off or wick to the bottom of the filter.



500 ml (12 per case)	CA66927
----------------------	---------

**Contact/Brake Cleaner**

Cleans grease and oils from electrical components and brake systems. New formula dries fast and leaves no residue. Won't harm most plastic, rubber, or painted surfaces.



408g (12 per case)	CA66932
--------------------	---------

**Carburetor Cleaner**

Removes gum, varnish, and deposits from carburetor components.



425 g (12 per case)	CA66916
---------------------	---------

## Rust Penetrant

Displaces moisture, protects against rust and corrosion.

340 g (12 per case)	CA66914
---------------------	---------



## Silicone Spray and Grease

Eliminates squeaks and sticking while lubricating and protecting. Protects, preserves, and waterproofs fabrics, leathers, and rubber.

320 g (12 per case)	CA66930 (Shown)
100 g tube	08798-9013



## Spray Cleaner and Polish

Superior performance and economy. Cleans, polishes, and protects paint, plastic, glass, vinyl, and rubber. Repels water, blocks UV rays, reduces dust build-up.

396 g (12 per case)	CA66925
---------------------	---------



## Engine Degreaser

Heavy duty cleaner that cuts through tough oil and grease on the exterior of engine surfaces.

380 g (12 per case)	CA66913
---------------------	---------



## Hondalock1

Low strength threadlock for frequently removed/low torque fasteners.

10 cc bottle	08713-0001
--------------	------------



## Hondalock 2HT

High temperature threadlock for medium-torque fasteners in high-heat applications, such as exhaust studs.

10 cc bottle	08713-0004
--------------	------------



## White Lithium Grease

Heavy-duty general purpose lubricant sets up quickly.

380 g (12 per case)	CA66920
---------------------	---------



## Lithium Dielectric Grease

Non-conductive water-proofing compound. Insulates electrical connections. Adheres to most surfaces. Seals out moisture, dirt, and corrosion.

150 g	08798-9001
-------	------------





**Pro Honda Contact/Brake Cleaner**

Pro Honda Contact/Brake Cleaner is an advanced formulation of cleaning solvents that quickly dissolve and remove grease, oil, brake fluid, road grime and dirt from brake parts, cv joints, disc pads, drums and other components. Helps reduce brake squeal. No residue. Fast drying. Low odour.

**Pro Honda Chain Lube**

The Ultimate in Lubrication and Protection.

- Resists weather and wear for longer lasting lubrication.
- Compatible with all chains.
- Works at both high and low temperature extremes.
- No-fling formula.

**Pro Honda Chain Cleaner**

Safe on all types of drive chains and prepares chain for re-oiling.

- Emulsifies and removes dirt, grime and built up grease.
- Spray on - rinse off.

**Pro Honda Hondalube/Rust Penetrant (new foaming formula)**

Pro Honda Hondalube Foaming Rust Penetrant penetrates through rust and surfaces to allow tight or sticky parts and fasteners to be loosened. The No Drip foaming formula adheres to surfaces while it penetrates, making work underneath vehicles easier with less mess. Lubricates and protects surfaces against rust. Repels water and displaces moisture. The 360° valve allows spraying from any angle.

**Pro Honda Carburetor/Combustion Chamber Cleaner**

Pro Honda Carburetor/Combustion Chamber Cleaner effectively cleans dirt, gum and varnish from carburetors, fuel injection throttle bodies, air intakes, automatic chokes, PCV valves and throttle linkage.

**Pro Honda Spray Cleaner & Polish with Carnauba**

Pro Honda Spray Cleaner & Polish will wash and wax your vehicle without water in two easy steps. Spray and wipe then buff. Our Carnauba Wax formula offers a superior shine and protection. As well, our innovative formula offers protection from UV rays and repels dirt and dust. Our deep cleaning agents lift and remove tar, bugs, grease and dirt. Silicone and Teflon free. Use on body, rims, glass and mirrors including metal, aluminum, stainless steel, plastic and fibreglass surfaces.

**Pro Honda Silicone Spray**

Pro Honda Silicone Spray contains 100% pure high viscosity silicone. Lubricates, stops squeaks and prevents rust. Ideal for use on rubber parts, mounts and contact points. Prevents rubber from freezing and sticking to metal and keeps rubber flexible. It leaves no greasy or oily film and is not affected by water or oil. The heat stable formula will not freeze or melt.

Part Number	Description	Size	Multiple
08732-CBC00	Pro Honda Contact/Brake Cleaner	390g	12
08732-CLM00	Pro Honda Chain Lube	390g	12
08732-RP000	Pro Honda Hondalube/Rust Penetrant (new foaming formula)	445g	12
08732-SS000	Pro Honda Silicone Spray	300g	12
08732-CC000	Pro Honda Carburetor/Combustion Chamber Cleaner	418g	12
08732-SCP00	Pro Honda Spray Cleaner & Polish with Carnauba	496g	12
08732-CHC00	Pro Honda Chain Cleaner	390g	12

## Moly 77 Paste

60% Moly grease formula. Contents are solid and will not separate at room temperature. Recommended for bearings, gears and other high-pressure/high-temperature applications. Use where Moly 45 is suggested.



3 oz tube

08798-9010CH

## Hondabond 4

Semi-drying liquid gasket. Seals with a tough, elastic film, yet removes easily. Solvent-based formula resists gasoline.



3.5 oz. tube

08717-1194

## Hondabond HT

High-temperature silicone liquid RTV gasket. Non-acidic, will not corrode aluminum. For use in areas not requiring solid gaskets.



1.9 oz. tube

08718-0004

## Weatherstrip Cement

A permanent waterproof adhesive that adheres to rubber, plastic, metal. Also works for vinyl repair.



5 oz. tube

08712-0002

**Handgrip Cement**

For use when installing all PVC-type grips on handles, levers etc.



1 oz. tube	08712-0001
------------	------------

**Hondabrite**

Genuine S-100® in a mid-size package. Easy-to-use cleaner; simply spray on and hose off.



20 oz. bottle (multiples of 12)	08732-0020B
------------------------------------	-------------

**Honda Red Touch Up Paint Pen**

Formulated to match Honda Power Red R280. Features 10 ml of paint with felt tip applicator for minor paint touch ups.



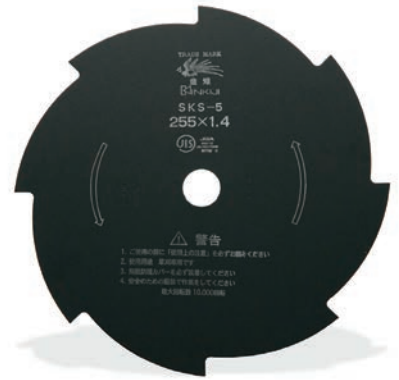
10 ml	08708-R280P
-------	-------------

**Honda Red Spray Paint**

Formulated to match Honda Power Red R280 in a 400 g spray can for larger paint applications.



400 g Red	08707-R280
400 g Primer	08707-PRIMER



**HONDA**